

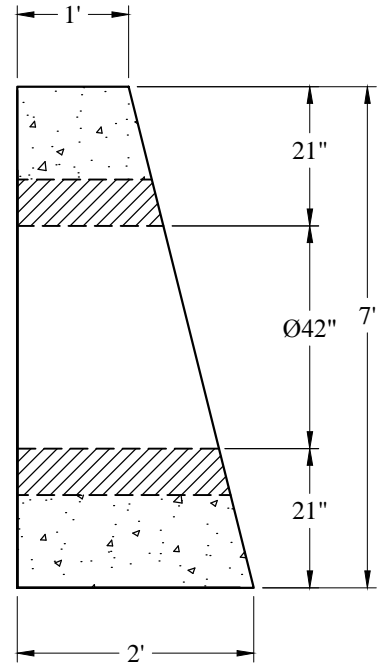
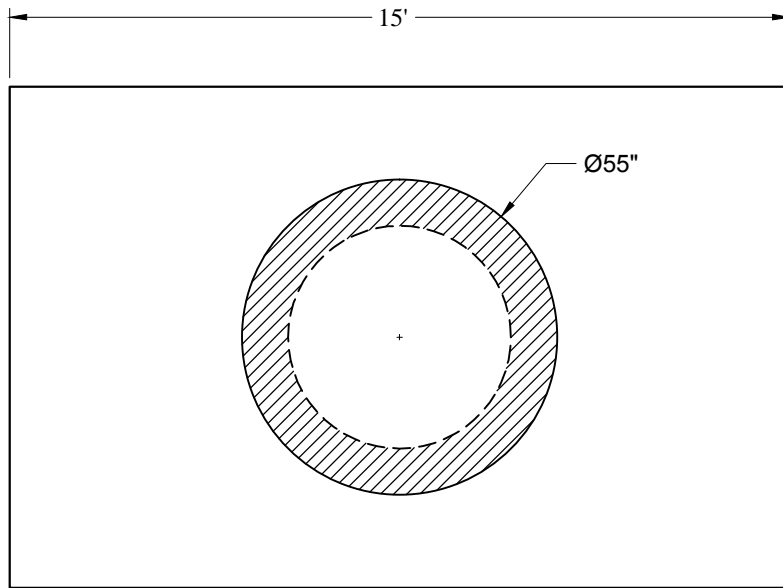
1-800-639-2199

Fax (603) 224-2927

Headwalls\Standard Large\42in_Pipe Phoenix Standard Large HW (v)

Phoenix Precast Products

Phoenix Precast Products



General Notes

1. Steel Reinforcement Conforms to Latest ASTM Specification: ASTM A-615 Grade 60 Black Deformed Bars
2. Concrete: $f_c = 4,000$ psi @ 28 Days Minimum
3. Est Weight: 19,850 Lbs

Phoenix
Precast
Products

Phoenix Standard Large
42" Pipe Headwall

P/N: HWS-42